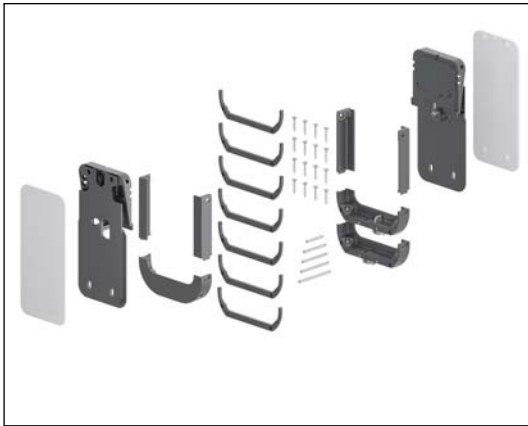


Zero handle kit



Description

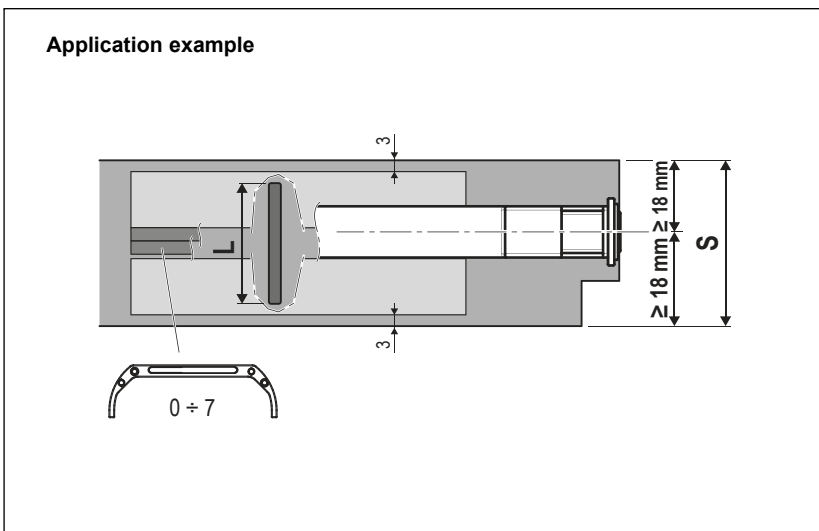
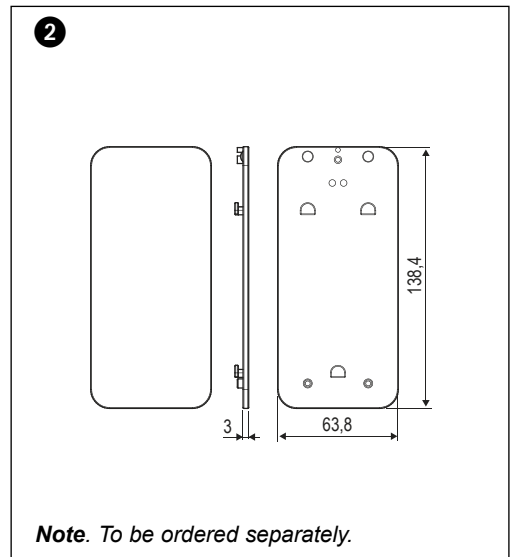
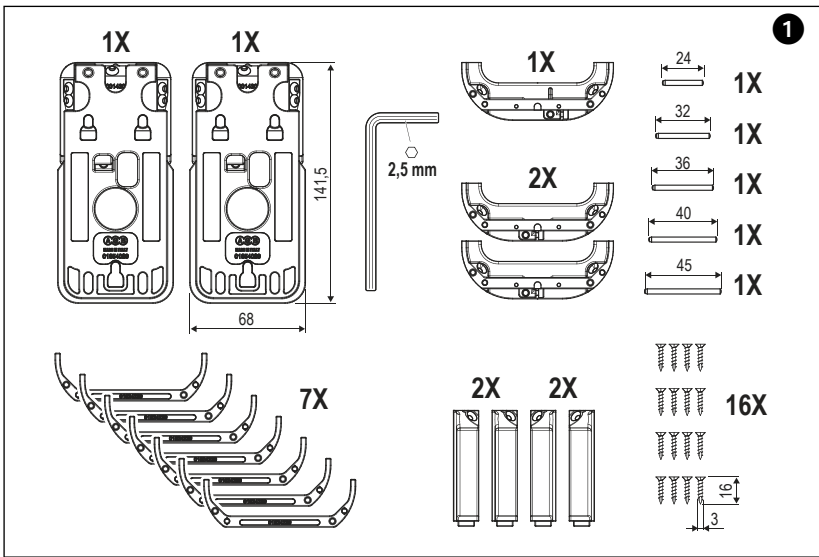
Handle system completely integrated in the sash, with flush and customisable cover

Use

With a light pressure, you access to an ergonomic grip of the sash, both for pull and push opening. When combined with Touch&Close Zero magnetic door catcher system, allows to operate the privacy bolt and lock the door.

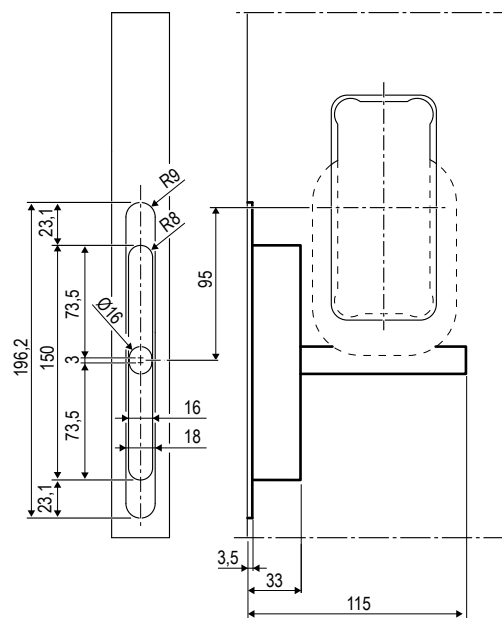
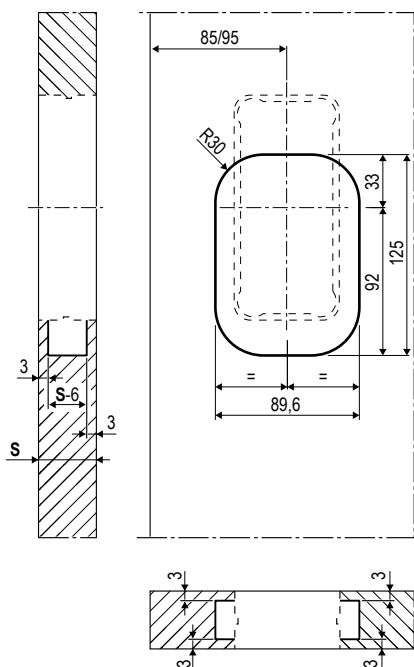
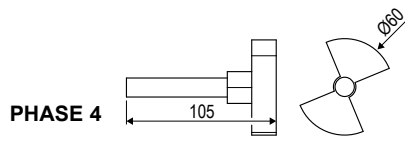
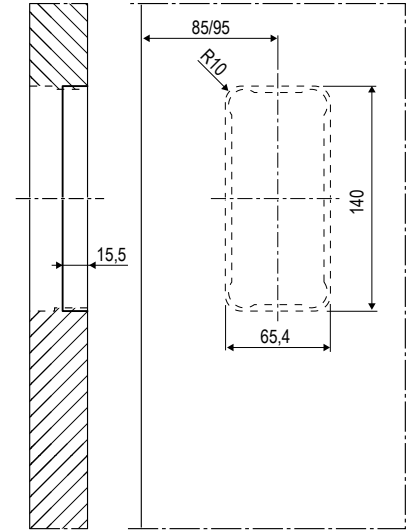
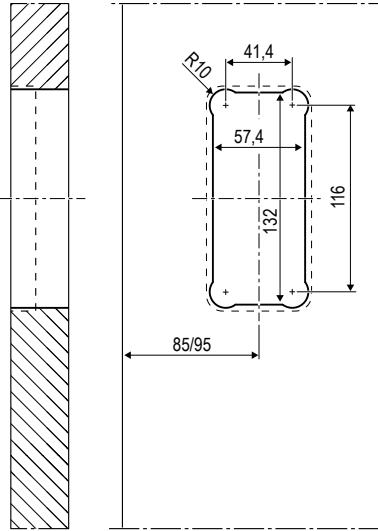
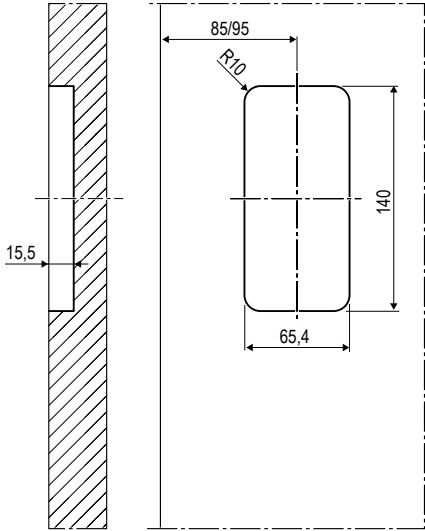
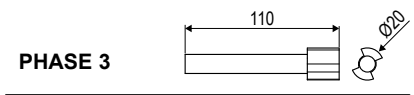
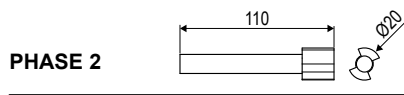
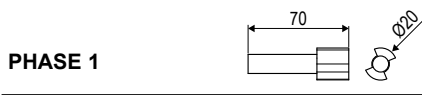
Fastening

Please follow assembly instructions you can access by scanning the QR code in the packaging.



ACCESSORIES CHOICE		
Sash data	Q.TY	L
S		
36	0	25
38	0	25
40	1	25
44	2	32
45	2	32
50	4	36
55	5	40
60	6	45
60,4	7	45

Zero Handle kit



Order Specifications

Ref.	Article
①	B09600.11.XX
②	B09600.03.01

Note. Refer to the current price list for availability of finishes.